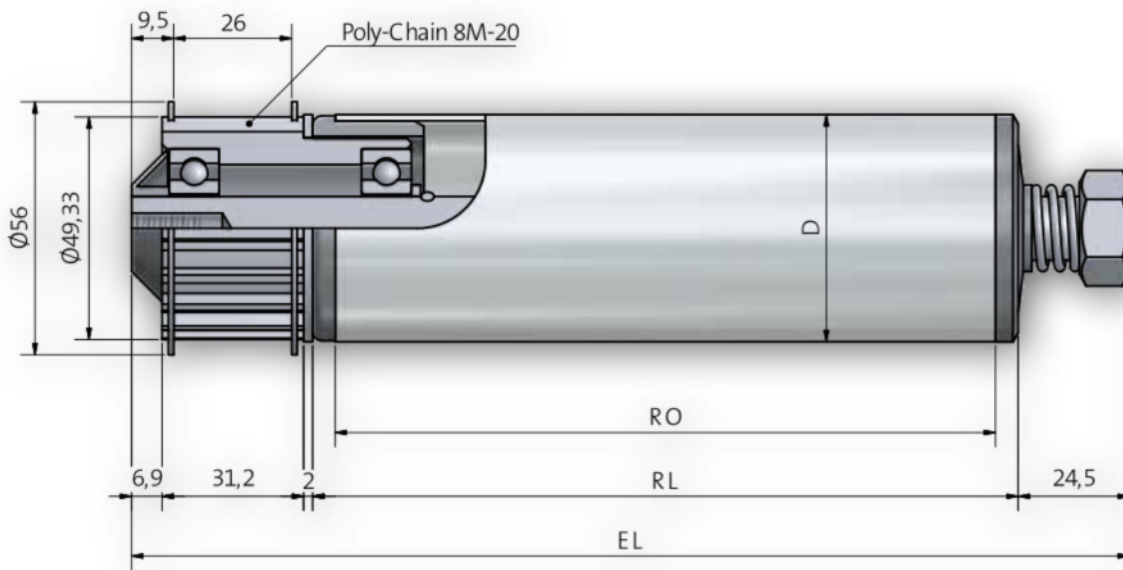


Roller 445R ST



Shaft dimensions

Order Specification	A...IGM...
Shaft- \varnothing	EL=
15	RL+ 64

Range of counter bearings for tube- and shaft combinations

Tube dia.	A15
50 x 1,5	301 / 302 / 402WT
50 x 2	301
50 x 2,8 KB/KGH	301
50 x 3	301
60,3 x 1,65	301
60 x 2	301 / 302 / 402WT
60 x 3	301 / 402WT
63 x 3 KB/KGH	301
63,5 x 2,9	301 / 402WT
80 x 2	301 / 402WT

Optional Coatings Page 10

Roller 445R ST

Drive Element	Steel - Tooth Belt 8M z=20 (Poly-Chain)
Bearing Type	Ball Bearing (Series 6202) DIN 625 available in 2RS, ZZ Standard Series 6202 ZZ
Load Capacity/Roller	1.000N (depending upon the load limit of tube and shaft)
Max. Speed	0,8 m/s
Range of Temperature Celcius	-5 to +40 C
Type of Drive	Accumulation drive with a pressure of 5% of the loaded material weight (depending on adjustment).
Note	Accumulation pressure to be adjusted manually.

Order Example

Type	445R ST ZZ / 301 ZZ - 50x1,5 STI A15 IGM 10x15 EL=700mm
Type Drive
Ball bearing sealing
Type of counter bearing
Ball bearing sealing
Tube-Ø and wall thickness
Tube quality
Shaft-Ø
Shaft Ends
Installation length