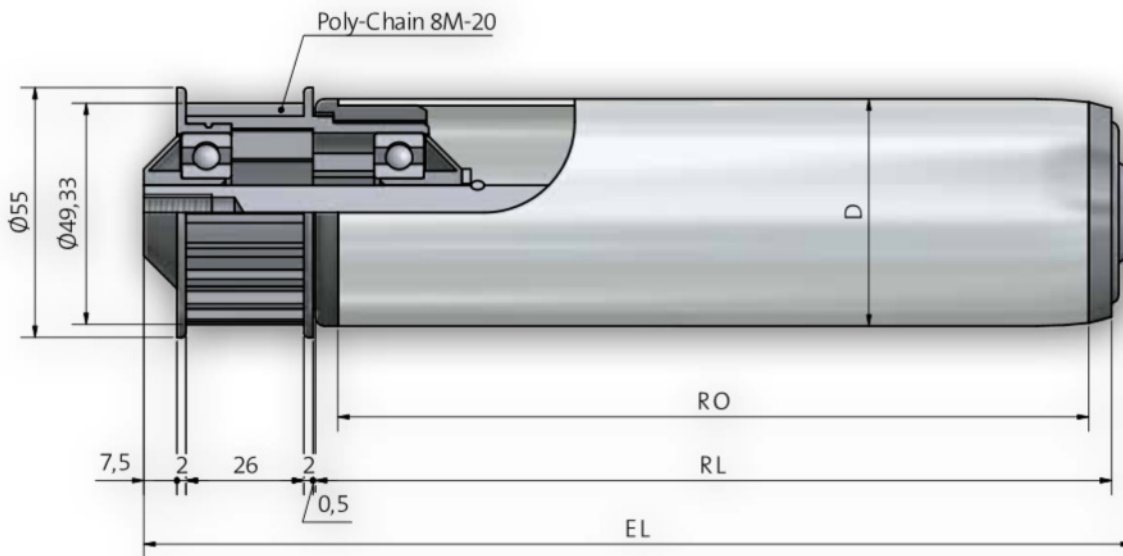


## Roller 445 / 446



### Shaft dimensions

Order Specification		A...M...	A...JGM...
Shaft-Ø	EL=		
12	RL+	58	44
14	RL+	60	44
15	RL+	60	44

### Range of counter bearings for tube- and shaft combinations

Tube dia.	A12	A14	A15
50 x 1,5	250 / 300 / 302	250 / 300 / 302	251 / 302
50 x 2	250 / 300	250 / 300	251
50 x 2,8 KB/KGH	300	300	
50 x 3	250 / 300	250 / 300	251
60,3 x 1,65	300	300	301
60 x 2	250 / 300 / 302	250 / 300 / 302	251 / 302
60 x 3	250 / 300	250 / 300	251
63 x 3 KB/KGH	300	300	
63,5 x 2,9	300	300	301
80 x 2	300	300	301

## Roller 445 / 446

<b>Drive Element</b>	<b>Thermoplastic synthetic material - Tooth Belt 8M z=20 (Poly-Chain)</b>
Bearing Type	Ball Bearing (Series 6202) DIN 625 available in 2RS, ZZ Standard Series 6202 ZZ
Load Capacity/Roller	600N (depending upon the load limit of tube and shaft)
Max. Speed	0,8 m/s
Range of Temperature Celcius	-5 to +40 C
Type of Drive	Type 445 Accumulation drive with a pressure of 5% of the loaded material weight Type 446 Permanent drive, driving element fit positively to the tube by a bushing
Note	Permanent drive only for continuous conveying - for Stop-And-Go use Type 447. For rough materials use adjustable accumulation roller (Type 454R ST).

### Order Example

Type	445 ZZ / 302 ZZ - 50x1,5 STI A14 IGM 10x15 EL=700mm
Type Drive	.....
Ball bearing sealing	.....
Type of counter bearing	.....
Ball bearing sealing	.....
Tube-Ø and wall thickness	.....
Tube quality	.....
Shaft-Ø	.....
Shaft Ends	.....
Installation length	.....