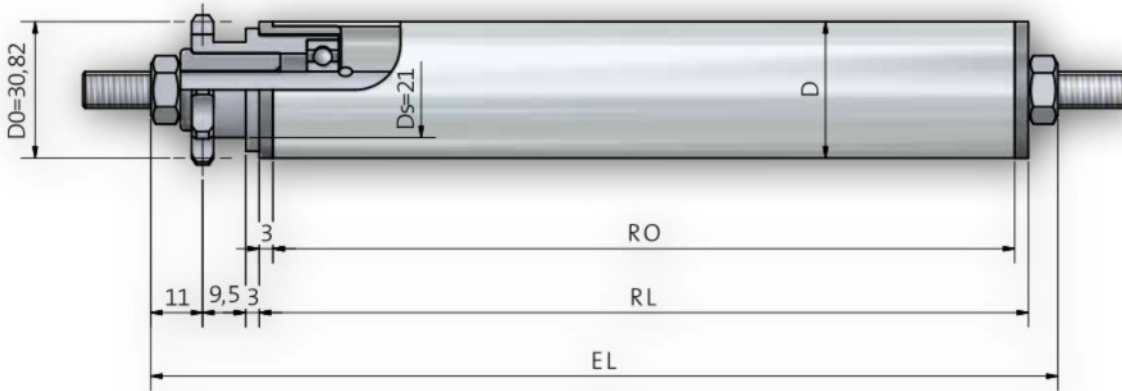


Roller 435 / 436



Shaft dimensions

Order Specification		A...M...		A...JGM...	
Shaft- ϕ	EL=				
		Type 50	Type 60	Type 50	Type 60
8	RL+	33	30	33	30

Range of counter bearings for tube- and shaft combinations

Tube dia.	A8
30 x 1	50 / 51 / 60
30 x 1,8 KB/KGH	50 / 51 / 60
32 x 2	50 / 51 / 60

Roller 435 / 436

Drive Element	Steel - Single Sprocket 3/8" x 7/32" z=10 Bolt Tooth Form
Bearing Type	Ball Bearing (Series 608) DIN 625 available in 2RS, ZZ Standard Series 608 ZZ
Load Capacity/Roller	400N (depending upon the load limit of tube and shaft)
Max. Speed	0,3 m/s
Range of Temperature Celcius	-5 to +40 C
Type of Drive	Type 435 Accumulation drive with a pressure of 5% of the loaded material weight Type 436 Permanent drive, driving element fit positively to the tube by a bushing
Note	Permanent drive only for continuous conveying.

Order Example

Type	435 ZZ / 60 ZZ - 30x1 STI A8 M8x15 EL=300mm
Type Drive
Ball bearing sealing
Type of counter bearing
Ball bearing sealing
Tube-Ø and wall thickness
Tube quality
Shaft-Ø
Shaft Ends
Installation length