

Roller 302



Shaft dimensions

Order Specification		A...M...	A...AGM...	A...IGM...	A...glatt	A...SW...	A...FA...
Shaft- ϕ	EL=						
8	RL+	23	10	10	10	10	10
10	RL+	22	10	10	10	10	10
S 11	RL+				10		10
12	RL+	24	10	10	10	10	10
14	RL+	26	10	10	10	10	10
15	RL+	26	10	10	10	10	

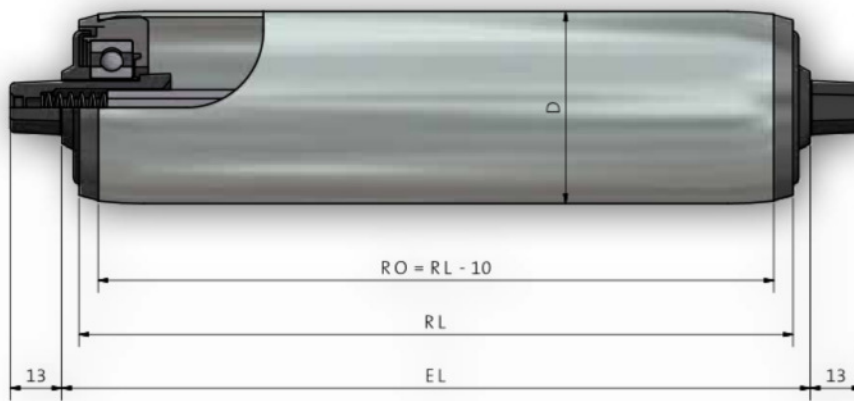
Tube- and Shaft Combination

Tube dia.	A8	A10	S11	A12	A14	A15
40 x 1,5			x	x		
50 x 1,5	x	x	x	x	x	x
60 x 2	x	x	x	x	x	x

Roller 302

Bearing Type	Thermoplastic synthetic material - Bearing Site
Type of Bearing	Ball Bearings (Series 6202) DIN 625 available in 2RS, ZZ Standard Series 6202ZZ plastic distance bushings to get the shaft diameters (6002ZZ for tube \varnothing 40 mm)
Load Capacity/Roller	1.600N (depending upon the load limit of tube and shaft)
Max. Speed	2 m/s
Range of Temperature Celcius	-5 to +50 C
Optional	
Note	For use as driven roller. Antistatic Version.

Roller 302-50x1,5 STI ASK 8 SK 11x12 FA



Note

Roller equipped with conical hexagonal adapters on both ends which can be pressed in Load Capacity 400N

For 302-40x1,5 STI ASK 8 SK 11x12 FA the excess length of the spring loaded hexagonal shaft is 14 mm on both sides

Order Example 302-50x1,5 STI ASK 8 SK 11x12 FA

Type	302 ZZ - 50x1,5 STI ASK 8 SK 11x12 FA EL=500mm
Bearing Type
Ball bearing sealing
Tube- \varnothing and wall thickness
Tube quality
Shaft- \varnothing
Shaft Ends
Installation length

Order Example 302

Type	302 ZZ - 50x1,5 STI ASK 11 FA EL=500mm
Bearing Type
Ball bearing sealing
Tube- \varnothing and wall thickness
Tube quality
Shaft- \varnothing
Shaft Ends
Installation length