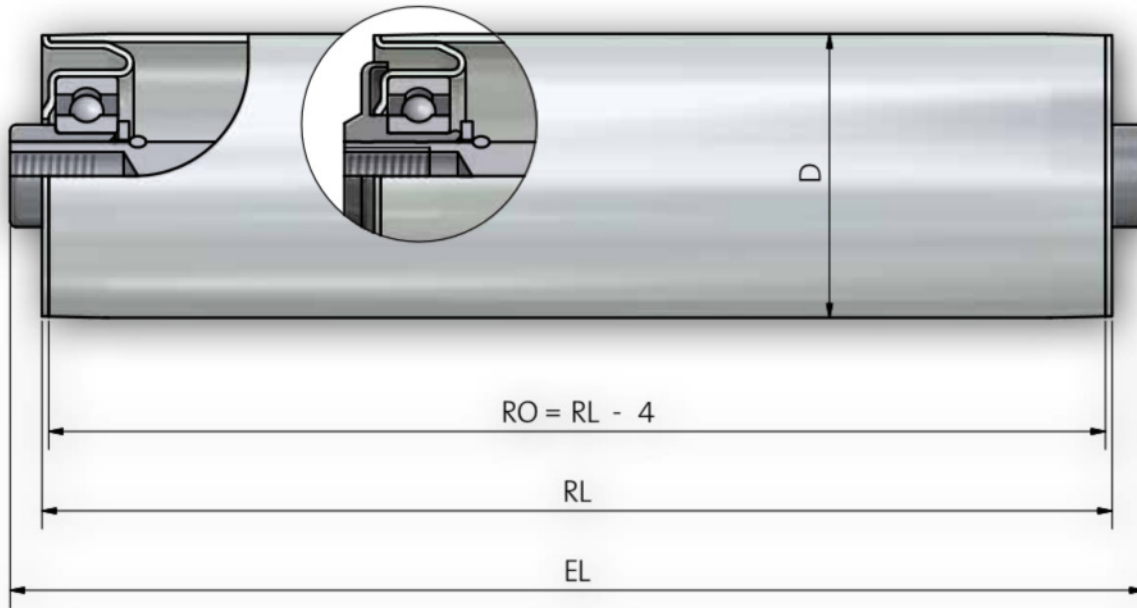


Roller 250 / 251

Type 251



Shaft dimensions

Order Specification		A...M...	A...AGM...	A...IGM...	A...glatt	A...SW...	A...FA...
Shaft- ϕ	EL=						
8	RL+	23			10		10
10	RL+	22	10	10	10	10	10
S11	RL+				10		10
12	RL+	24	10	10	10	10	10
14	RL+	26	10	10	10	10	10
15	RL+		10	10		10	
17	RL+	26		10		10	

Tube- and Shaft Combination

Tube dia.	A8	A10	S11	A12	A14	A15	A17
40 x 1,5				x			
50 x 1,5	x	x	x	x	x	x	x
50 x 2	x	x	x	x	x	x	x
60 x 2	x	x	x	x	x	x	x
60 x 3		x	x	x	x	x	x
80 x 2				x	x	x	x
80 x 3				x	x	x	x

Roller 250 / 251

Bearing Type	Steel housing with Precision Ball Bearing
Type of Bearing	Ball Bearings (Series 6001,6003,6202) DIN 625 available in 2RS, ZZ Standard Series 6202ZZ - plastic distance bushings to get the shaft diameters
Load Capacity/Roller	2.400N (depending upon the load limit of tube and shaft)
Max. Speed	1,2 m/s
Range of Temperature Celcius	-5 to +60 C
Optional	Type 251 with additional shelter
Note	For use as driven roller. Tube dia. 40 mm only with Shaft dia. D=12 mm (Ending flat and FA not available). Shaft dia. 15 mm und 17 mm without distance bush. Type 251 for shaft 17 mm not available. With special greasing even for use in Deep Freeze Areas (-28°C).

Order Example

Type	250 ZZ - 50x1,5 STI A12 IGM 8x15 EL=500mm
Bearing Type	ZZ
Ball bearing sealing	ZZ
Tube-Ø and wall thickness	50x1,5
Tube quality	STI
Shaft-Ø	A12
Shaft Ends	IGM 8x15
Installation length	EL=500mm