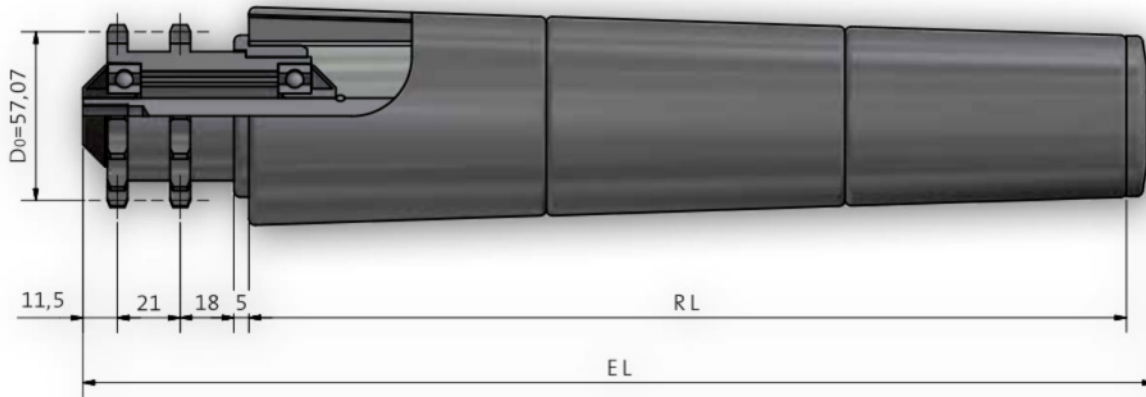


Conveyor Roller 540 / 541



Shaft dimensions

Description		A...M...	A...JGM...
Shaft- ϕ	EL=		
10	RL+	79	
12	RL+	81	67
14	RL+	83	67

Range of counter bearings for tube- and shaft combinations

Tube dia.	A10	A12	A14
50	300	300	300

Conveyor Roller 540 / 541

Drive Element	Thermoplastic synthetic material - Double sprocket 1/2" x 5/16" z=14
Bearing	Type Ball Bearing (Series 6202) DIN 625 available in 2RS, ZZ Standard Series 6202 ZZ
Load Capacity/Roller	400N (depending upon the load limit of tube and shaft)
Max. Speed	0,5 m/s
Range of Temperature Celsius	-5 to +40 C
Type of Drive Type	Type 540 Accumulation drive with a pressure of 5% of the loaded material weight Type 541 Permanent drive, driving element fit positively to the tube by a bushing
Note	Permanent drive only for continuous conveying. Conical elements also available as antistatic version.

Order Example

Type	541 ZZ / 300 ZZ - 50x1,5 STI A14 IGM 10x15 EL=557mm
Type Drive	541
Ball bearing sealing	ZZ
Type of counter bearing	300
Ball bearing sealing	ZZ
Tube-Ø and wall thickness	50x1,5
Tube quality	STI
Shaft-Ø	A14
Shaft ending	IGM 10x15
Installation length	EL=557mm