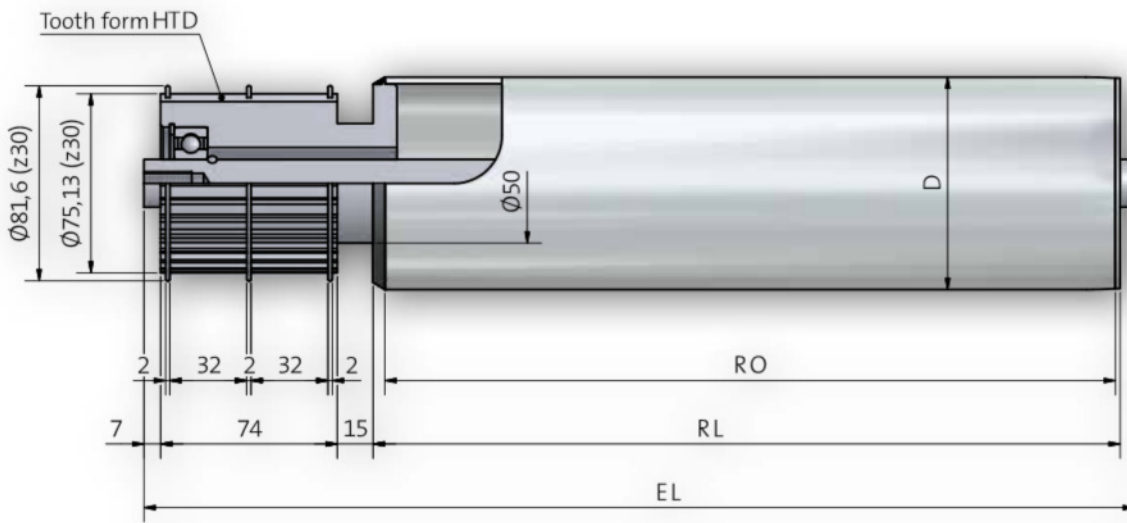


Roller 534 z30 / z34



Shaft dimensions

Order Specification		A...IGM...
Shaft- \varnothing	EL=	
20	RL+	101
25	RL+	101

Range of counter bearings for tube- and shaft combinations

Tube dia.	A20	A25
88,9 x 2,9	260	260
108 x 3,25	260	260
133 x 3,6	402WO	402WO

Roller 534 z30 / z34

Drive Element	Steel- Tooth Belt Wheel 8M z=30/z=34 (HTD)
Bearing Type	Ball Bearing (Series 6204, 6005) DIN 625 available in 2RS, ZZ
Load Capacity/Roller	2.000N (depending upon the load limit of tube and shaft)
Max. Speed	0,8 m/s
Range of Temperature Celcius	-5 to +40 C
Type of Drive	Permanent drive, driving element welded to the tube
Note	Roller will be driven by a 30mm wide tooth belt (HTD).

Order Example

Type	534z34 RS / 260l RS - 88,9x2,9 STI A20 IGM 12x20 EL=1100mm
Type Drive
Ball bearing sealing
Type of counter bearing
Ball bearing sealing
Tube-Ø and wall thickness
Tube quality
Shaft-Ø
Shaft Ends
Installation length