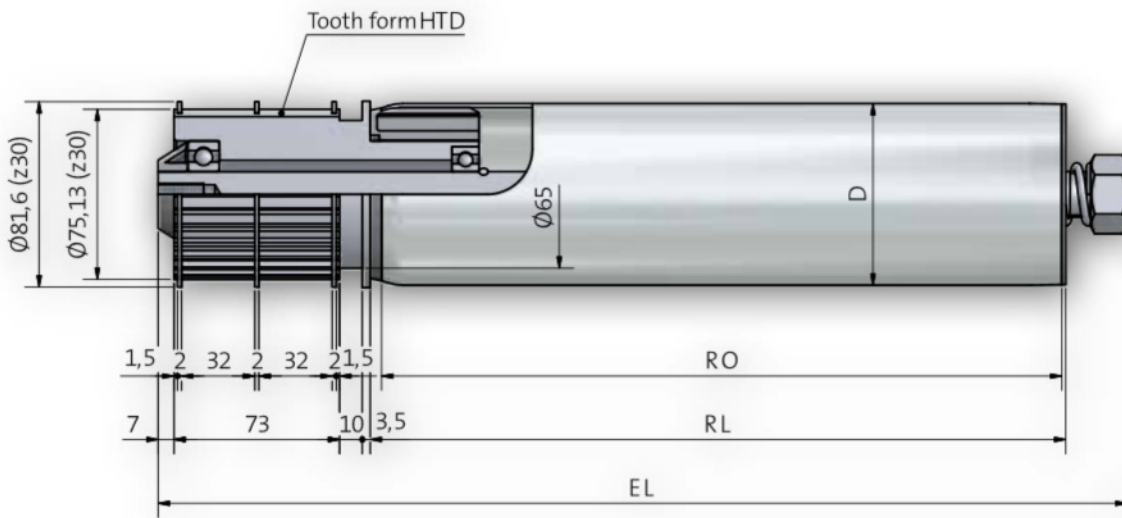


Roller 533R z30 / z34



Shaft dimensions

Order Specification	A...IGM...
Shaft- \varnothing	EL=
20	RL+ 114

Range of counter bearings for tube- and shaft combinations

Tube dia.	A20
80 x 2	402WO / 402WT
88,9 x 2,9	402WO / 402WT
108 x 3,25	402WO / 402WT

Roller 533R z30 / z34

Drive Element	Steel - Tooth Belt Wheel 8M z=30/z=34 (HTD)
Bearing Type	Ball Bearing (Series 6204) DIN 625 available in 2RS, ZZ
Load Capacity/Roller	1.800N (depending upon the load limit of tube and shaft)
Max. Speed	0,8 m/s
Range of Temperature Celcius	-5 to +40 C
Type of Drive	Accumulation drive with a pressure of 5% of the loaded material weight (depending on adjustment).
Note	Accumulation pressure to be adjusted manually.

Order Example

Type	533R z30 RS / 402WTI RS - 88,9x2,9 STI A20 M20 IGM 12x20 EL=1100mm
Type Drive
Ball bearing sealing
Type of counter bearing
Ball bearing sealing
Tube-Ø and wall thickness
Tube quality
Shaft-Ø
Shaft Ends
Installation length