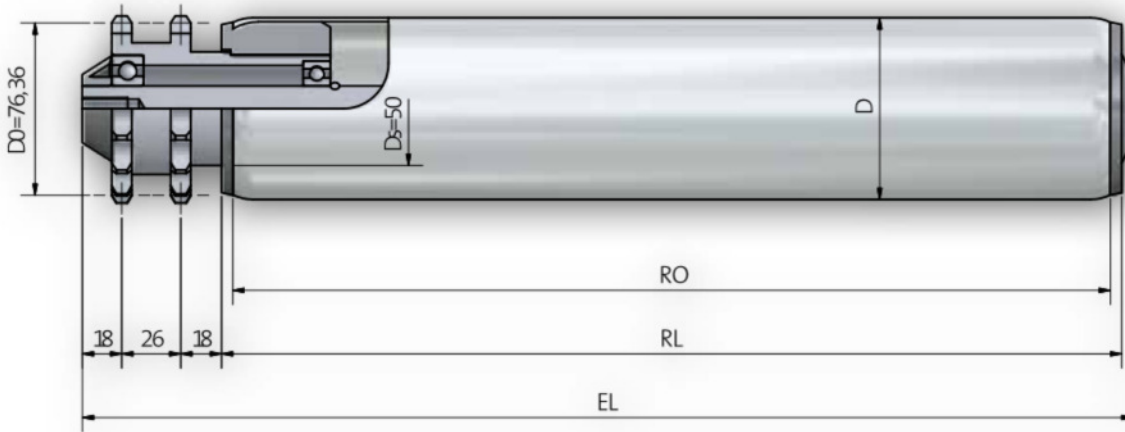


Roller 520



Shaft dimensions

Order Specification		A...IGM...
Shaft- ϕ	EL=	
20	RL+	67

Range of counter bearings for tube- and shaft combinations

Tube dia.	A20
80 x 2	402
88,9 x 2,9	402
108 x 3,25	402

Roller 520

Drive Element	Steel - Double Sprocket 5/8" x 3/8" z=15
Bearing Type	Ball Bearing (Series 6204, 6005) DIN 625 available in 2RS, ZZ
Load Capacity/Roller	1.800N (depending upon the load limit of tube and shaft)
Max. Speed	0,5 m/s
Range of Temperature Celcius	-5 to +40 C
Type of Drive	Accumulation drive with a pressure of 5% of the loaded material weight
Note	For rough materials use adjustable accumulation roller(Type 520R).

Order Example

Type	520 RS / 402 RS - 88,9x2,9 STI A20 IGM 12x20 EL=1100mm
Type Drive
Ball bearing sealing
Type of counter bearing
Ball bearing sealing
Tube-Ø and wall thickness
Tube quality
Shaft-Ø
Shaft Ends
Installation length