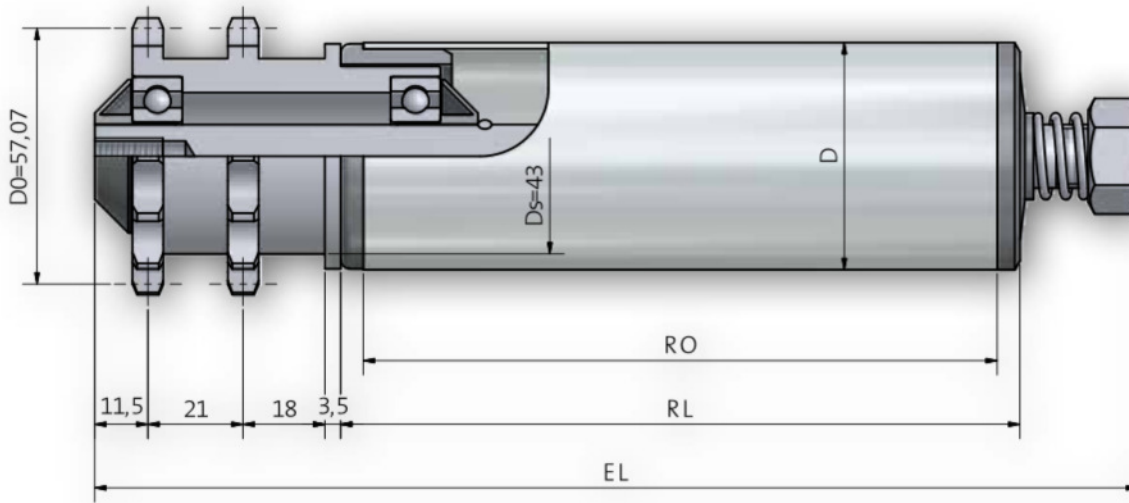


## Roller 500R



### Shaft dimensions

Order Specification		A...IGM...
Shaft- $\phi$	EL=	
14	RL+	79
15	RL+	79

### Range of counter bearings for tube- and shaft combinations

Tube dia.	A15
50 x 1,5	301 / 302 / 402WT
50 x 2	301
50 x 2,8 KB/KGH	301
50 x 3	301
60,3 x 1,65	301
60 x 2	301 / 302 / 402WT
60 x 3	301 / 402WT
63 x 3 KB/KGH	301
63,5 x 2,9	301 / 402WT
70 x 2	301
80 x 2	301 / 402WT

Optional Coatings Page 10

# Roller 500R

<b>Drive Element</b>	<b>Steel - Double Sprocket 1/2" x 5/16" z=14</b>
Bearing Type	Ball Bearing (Series 6202) DIN 625 available in 2RS, ZZ Standard Series 6202 ZZ
Load Capacity/Roller	1.000N (depending upon the load limit of tube and shaft)
Max. Speed	0,5 m/s
Range of Temperature Celcius	-5 to +40 C
Type of Drive	Accumulation drive with a pressure of 5% of the loaded material weight (depending on adjustment)
Note	Accumulation pressure to be adjusted manually.

## Order Example

Type	500R ZZ / 301 ZZ - 50x1,5 STI A14 IGM 8x15 EL=700mm
Type Drive	.....
Ball bearing sealing	.....
Type of counter bearing	.....
Ball bearing sealing	.....
Tube-Ø and wall thickness	.....
Tube quality	.....
Shaft-Ø	.....
Shaft Ends	.....
Installation length	.....