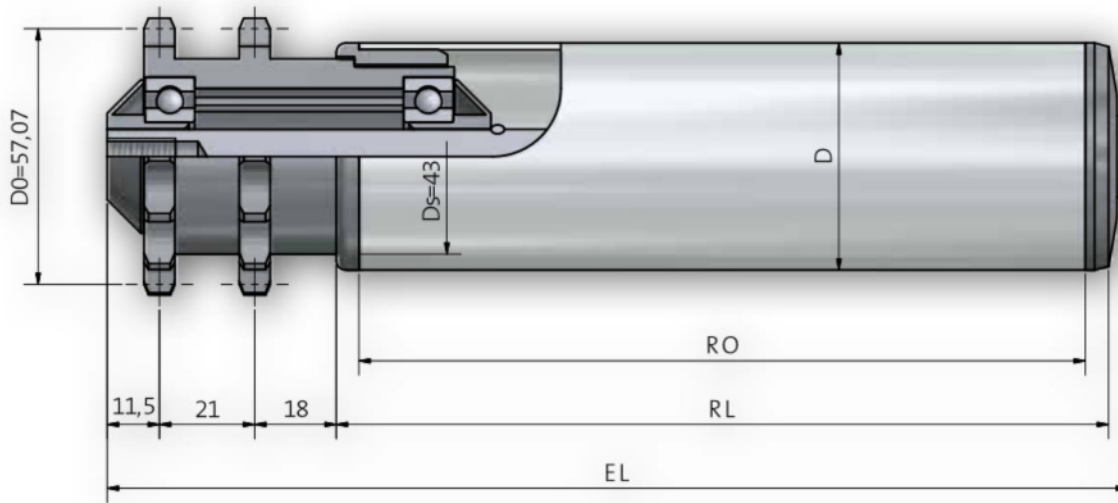


## Roller 480 / 481



### Shaft dimensions

Order Specification		A...M...	A...JGM...
Shaft- $\phi$	EL=		
10	RL+	69	
12	RL+	71	57
14	RL+	73	57

### Range of counter bearings for tube- and shaft combinations

Tube dia.	A10	A12	A14
50 x 1,5	250 / 300 / 302	250 / 300 / 302	250 / 300 / 302
50 x 2	250 / 300	250 / 300	250 / 300
50 x 2,8 KB/KGH	300	300	300
60,3 x 1,65	300	300	300
63 x 3 KB/KGH	300	300	300
60 x 2	250 / 300 / 302	250 / 300 / 302	250 / 300 / 302
70 x 2	300	300	300
80 x 2	250 / 300	250 / 300	250 / 300
90 x 7 KB/KGH	300	300	300

## Roller 480 / 481

<b>Drive Element</b>	<b>Thermoplastic synthetic material - Double Sprocket 1/2" x 5/16" z=14</b>
Bearing Type	Ball Bearing (Series 6202) DIN 625 available in 2RS, ZZ Standard Series 6202 ZZ
Load Capacity/Roller	400N (depending upon the load limit of tube and shaft)
Max. Speed	0,5 m/s
Range of Temperature Celcius	-5 to +40 C
Type of Drive	Type 480 Accumulation drive with a pressure of 5% of the loaded material weight Type 481 Permanent drive, driving element fit positively to the tube by a bushing
Note	Permanent drive only for continuous conveying - for Stop-And-Go use Type 502. For rough materials use adjustable accumulation roller (Type 500R).

### Order Example

Type	480 ZZ / 300 ZZ - 50x1,5 STI A14 IGM 8x15 EL=700mm
Type Drive .....	480 ZZ / 300 ZZ
Ball bearing sealing .....	ZZ
Type of counter bearing .....	50x1,5
Ball bearing sealing .....	STI
Tube-Ø and wall thickness .....	A14
Tube quality .....	IGM
Shaft-Ø .....	8x15
Shaft Ends .....	EL=700mm
Installation length .....	