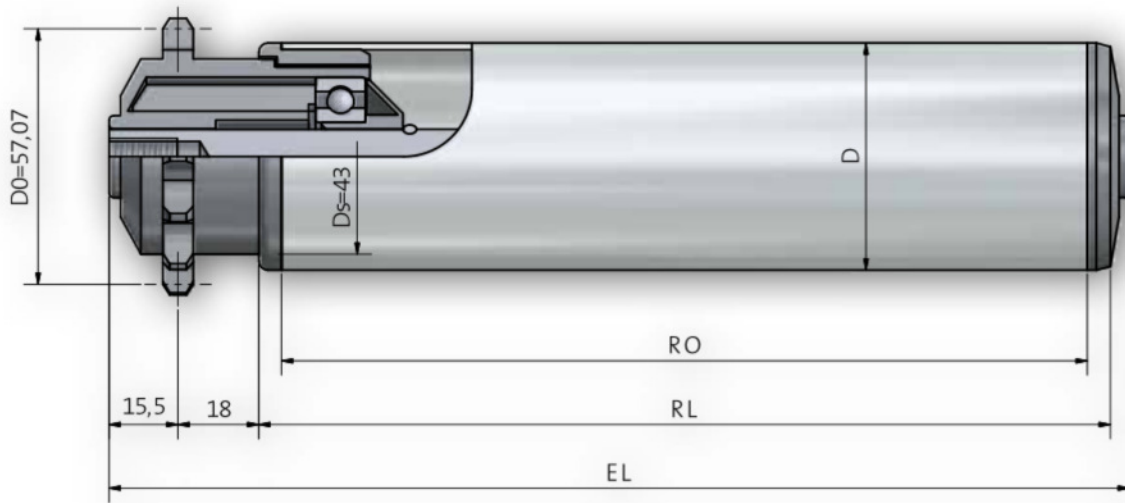


Roller 470 / 471



Shaft dimensions

Order Specification		A...M...	A...JGM...
Shaft- ϕ	EL=		
10	RL+	51	
12	RL+	53	39
14	RL+	55	39

Range of counter bearings for tube- and shaft combinations

Tube dia.	A10	A12	A14
50 x 1,5	250 / 300 / 302	250 / 300 / 302	250 / 300 / 302
50 x 2	250 / 300	250 / 300	250 / 300
50 x 2,8 KB/KGH	300	300	300
60,3 x 1,65	300	300	300
63 x 3 KB/KGH	300	300	300
60 x 2	250 / 300 / 302	250 / 300 / 302	250 / 300 / 302
70 x 2	300	300	300
80 x 2	250 / 300	250 / 300	250 / 300
90 x 7 KB/KGH	300	300	300

Roller 470 /471

Drive Element	Thermoplastic synthetic material - Single Sprocket 1/2" x 5/16" z=14 Bolt Tooth Form
Bearing Type	Ball Bearing (Series 6202) DIN 625 available in 2RS, ZZ Standard Series 6202 ZZ
Load Capacity/Roller	400N (depending upon the load limit of tube and shaft)
Max. Speed	0,3 m/s
Range of Temperature Celcius	-5 to +40 C
Type of Drive	Type 470 Accumulation drive with a pressure of 5% of the loaded material weight Type 471 Permanent drive, driving element fit positivly to the tube by a bushing
Note	Permanent drive only for continuous conveying - for Stop-And-Go use Type 508. For rough materials use adjustable accumulation roller (Type 506R).

Order Example

Type	470 ZZ / 300 ZZ - 50x1,5 STI A14 IGM 8x15 EL=700mm
Type Drive	
Ball bearing sealing	
Type of counter bearing	
Ball bearing sealing	
Tube-Ø and wall thickness	
Tube quality	
Shaft-Ø	
Shaft Ends	
Installation length	