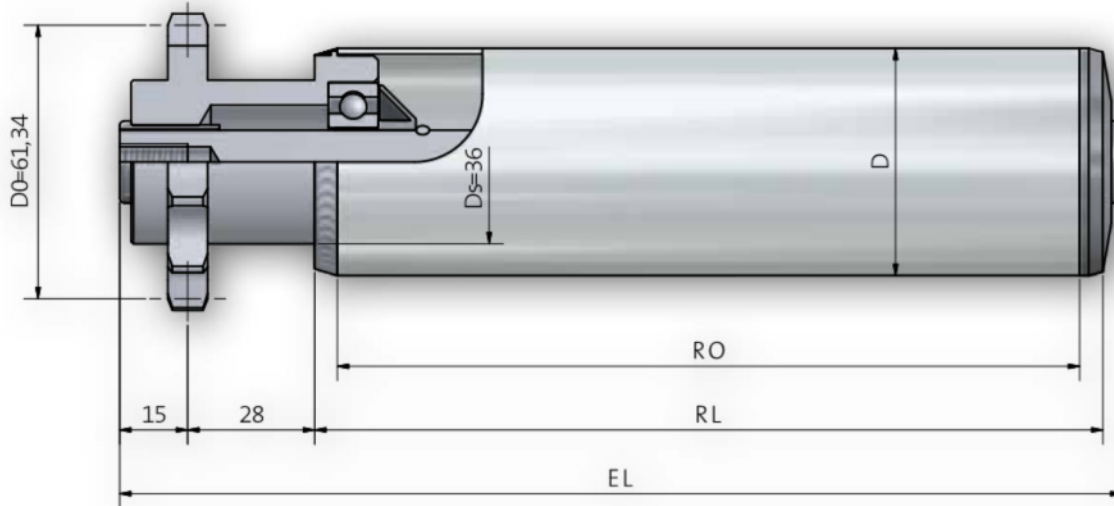


Roller 464



Shaft dimensions

Order Specification		A...M...	A...JGM...
Shaft- ϕ	EL=		
10	RL+	61	
12	RL+	63	49
14	RL+	65	49
17	RL+	65	49

Range of counter bearings for tube- and shaft combinations

Tube dia.	A10	A12	A14	A17
50 x 1,5	250 / 300 / 302	250 / 300 / 302	250 / 300 / 302	250
50 x 2	250 / 300	250 / 300	250 / 300	250
50 x 2,8 KB/KGH	300	300	300	
60,3 x 1,65	300	300	300	
60 x 2	250 / 300 / 302	250 / 300 / 302	250 / 300 / 302	250 / 402
60 x 3	250 / 300	250 / 300	250 / 300	250
63 x 3 KB/KGH	300	300	300	
63,5 x 2,9	300	300	300	402 / 250
70 x 2	300	300	300	
80 x 2	250 / 300	250 / 300	250 / 300	250 / 402
90 x 7 KB/KGH	300	300	300	

Optional Coatings Page 10 Flange Page 236

Roller 464

Drive Element	Steel - Single Sprocket 5/8" x 3/8" z=12 Bolt Tooth Form
Bearing Type	Ball bearing (Serie 6003, 6202, 6303) DIN 625 available in 2RS, ZZ Standard Serie 6202 ZZ
Load Capacity/Roller	1.500N (depending upon the load limit of tube and shaft)
Max. Speed	0,3 m/s
Range of Temperature Celcius	-5 to +40 C
Type of Drive	Permanent drive, driving element welded to the tube
Note	With special Bearings these roller can even be used in deep freeze areas. Please mention required features when placing order.

Order Example

Type	464 ZZ / 300 ZZ - 60x2 STI A14 IGM 8x15 EL=700mm
Type Drive
Ball bearing sealing
Type of counter bearing
Ball bearing sealing
Tube-Ø and wall thickness
Tube quality
Shaft-Ø
Shaft Ends
Installation length