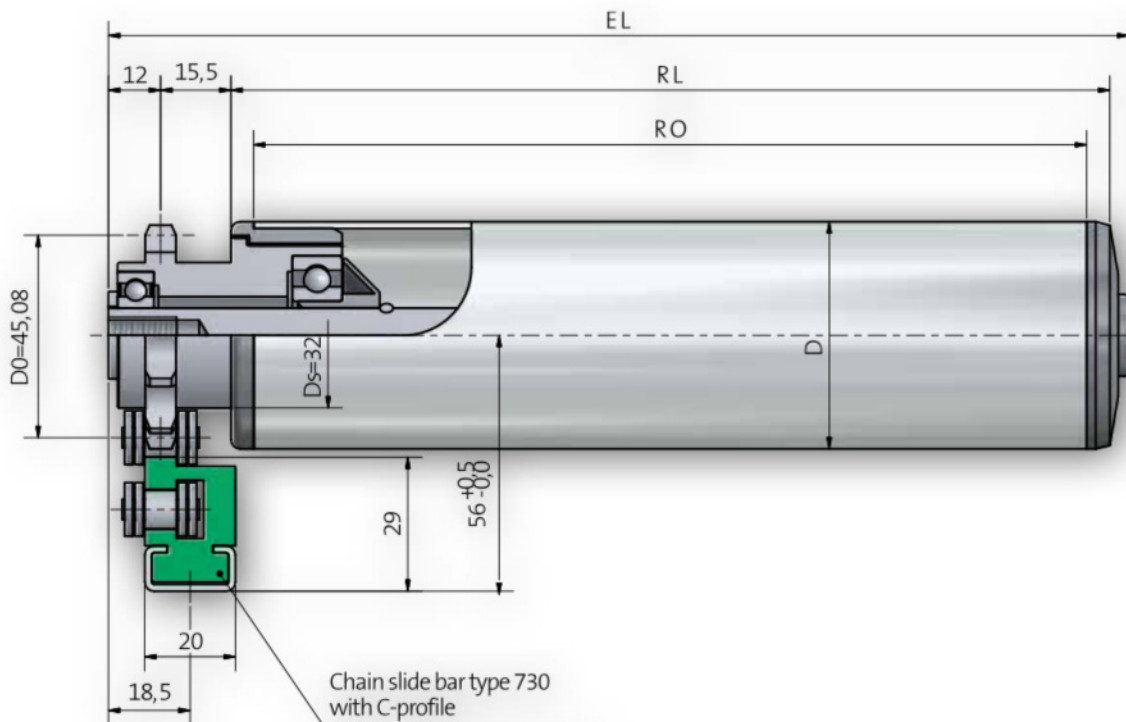


Roller 457 / 458



Shaft dimensions

Order Specification	A...M...	A...JGM...
Shaft- ϕ		
EL=	47	33
12	RL+	

Range of counter bearings for tube- and shaft combinations

Tube dia.	A12
50 x 1,5	250 / 300 / 302
50 x 2	250 / 300
50 x 2,8 KB/KGH	300
60,3 x 1,65	300
60 x 2	250 / 300 / 302
60 x 3	250 / 300
63 x 3 KB/KGH	300
63,5 x 2,9	300
70 x 2	300
80 x 2	250 / 300
90 x 7 KB/KGH	300

Roller 457 /458

Drive Element	Steel - Single Sprocket 1/2" x 5/16" z=11
Bearing Type	Ball Bearing (Series 6202, 6003) DIN 625 available in 2RS, ZZ Standard Series 6202 ZZ
Load Capacity/Roller	1.000N (depending upon the load limit of tube and shaft)
Max. Speed	0,3 m/s
Range of Temperature Celcius	-5 to +40 C
Type of Drive	Type 457 Accumulation drive with a pressure of 5% of the loaded material weight Type 458 Permanent drive, driving element fit positivly to the tube by a bushing
Note	Permanent drive only for continuous conveying. Roller can even be used as idler.

Order Example

Type	457 ZZ / 300 ZZ - 50x1,5 STI A12 IGM 8x15 EL=700mm
Type Drive
Ball bearing sealing
Type of counter bearing
Ball bearing sealing
Tube-Ø and wall thickness
Tube quality
Shaft-Ø
Shaft Ends
Installation length