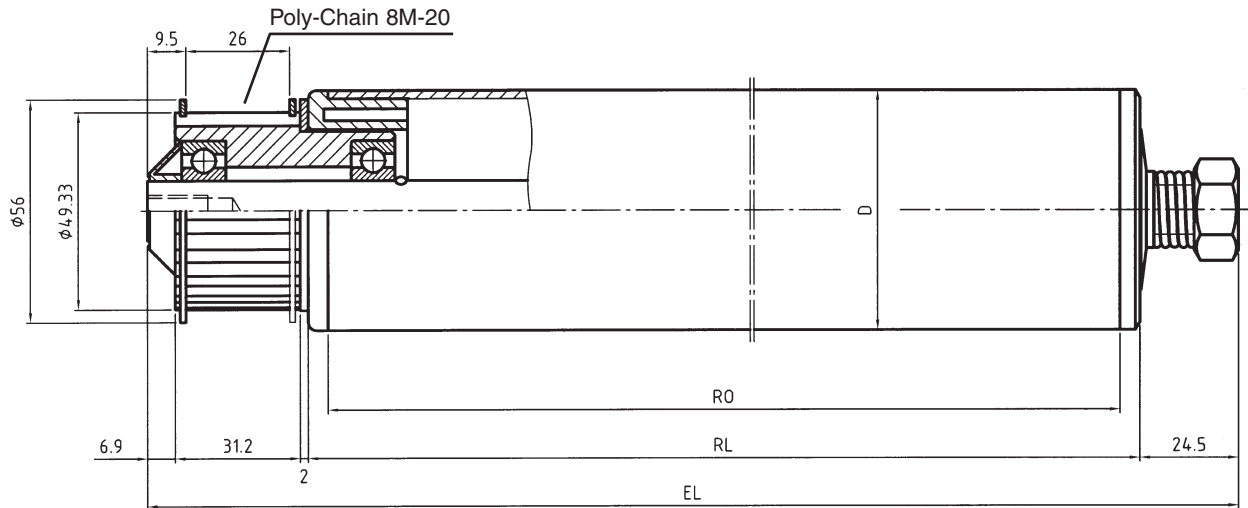
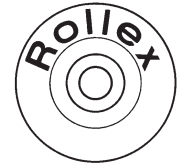


# Conveyor Roller Type 445 R ST

Tube Ø 50, 60, 63, 63.5, 80



Order specification		A... M...	A... AGM...	A... IGM...	A... glatt	A... SW...	A... FA...
Shaft-Ø	EL =						
15	RL +			64			

The bearing fitting consists of a steel driving element 8 M z 20 for tooth belt b=12, and counter bearing

The take-along strength is adjustable in consideration of the spring deflection.

Load capacity: max 100 daN/roller

Type of tube: page I.3

Type of shaft: page I.4

Type of tooth belt: page IX.8

Example how to order:

Type 445R ST/301-50 x 1,5 STI A 15 IGM 8 EL ...

The type of drive, the bearing inside the driving element and the counter bearing provide the type of order.

Driving element	Type	Counter bearing
Accumulation drive with grooved ball-bearing 6202	<b>445 RST</b>	301 / 402 WT
Accumulation drive with grooved ball-bearing 6202 RS	<b>445 RST RS</b>	301 RS / 402 WT RS